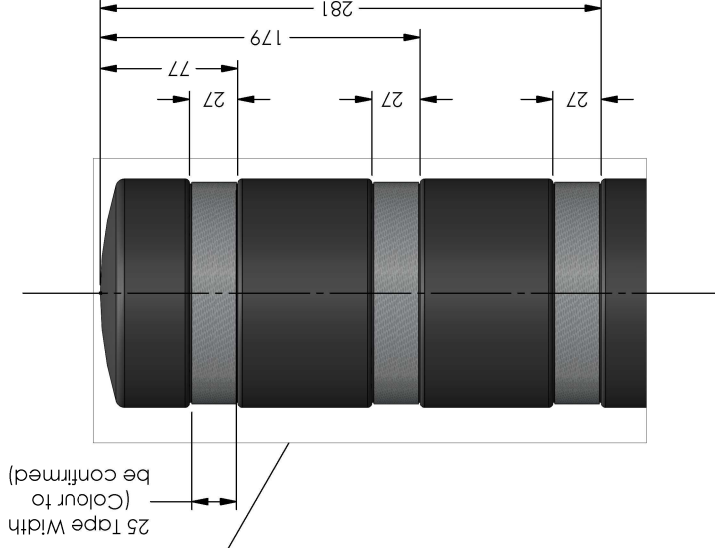
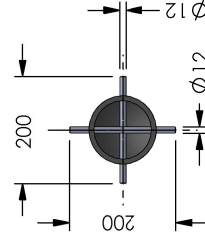
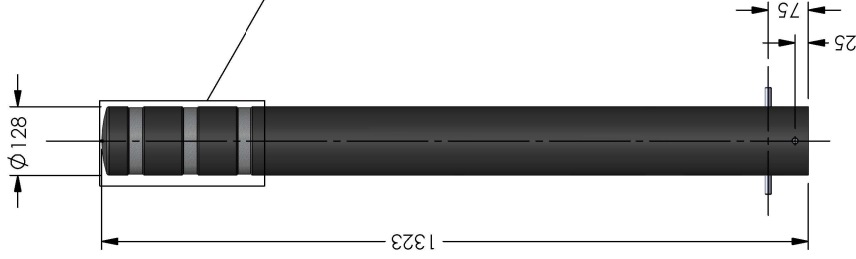
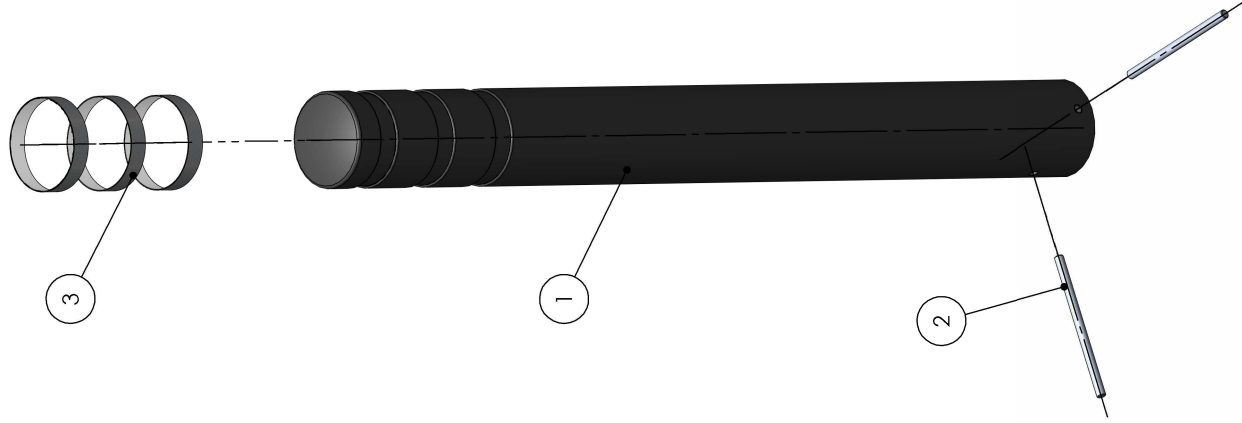


FOR DISCUSSION ONLY - DRAFT COPY



25 Tape Width
(Colour to
be confirmed)

DETAIL A
SCALE 1 : 3

ITEM NO.	PART NUMBER	DESCRIPTION	QTY.
1	WD-TTE19-279	MAIN BODY	1
2	WD-TTE19-279-1	ANCHOR BAR	2
3	WD-TTE19-279-2	REFLECTIVE TAPE	3

UNLESS OTHERWISE STATED:
-DIMENSIONS ARE IN mm.
-DO NOT DE-BURR EDGES.

-TOLERANCES ARE:
X=#1
X.X=#0.1
X.XX=#0.05
ANGLES=#0.5°

Issue	Change Description	Date
A-1	Draft -for information only	19-02-19
B-2	Draft Issue - Tape was Red	07-06-19
Title/Description:		Size: A3
Concept PU Impact-flex Bollard		Revision: Draft
Drawing Number: WD-TTE19-279-3		Scale: 1:7
Drawing Number: WD-TTE19-279-3		Sheet: 1 OF 1

Chkd By:
Date:
Weight: 6.12Kg

Drawn By:
Date:

See BOM

Project/Customer:

W.U.P. No:
Material:
Qty:

DO NOT SCALE