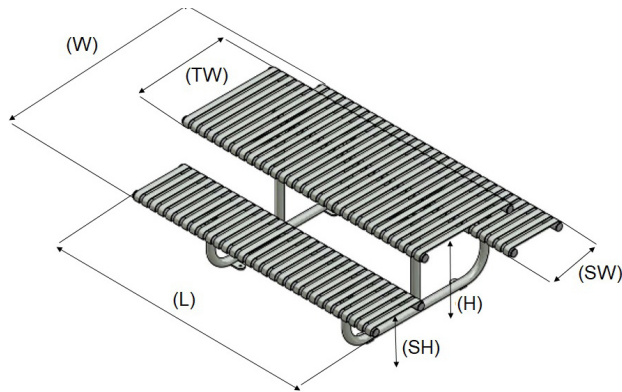


Rockingham Picnic Table 1750mm Galvanised, Galvanised & Colour or Stainless



Designed to match the Rockingham Bench and Seat, the Rockingham Picnic Bench is a robust, yet aesthetically pleasing picnic bench which is suitable for use in high traffic areas such as schools and parks. Manufactured in the UK, the Rockingham Picnic Bench is available in galvanised mild steel or grade 304 stainless steel.

The Rockingham Picnic Bench has been designed to withstand the toughest conditions and to look good for years with only minimal maintenance.

Available bolt down only.



<u>Part Number</u>	<u>Description</u>	<u>Weight (kg)</u>
138 117 112	Rockingham Picnic Table - Galvanised	107kg
138 117 111	Rockingham Picnic Table - Galvanised & Colour	107kg
138 117 116	Rockingham Picnic Table - Stainless Steel Grade 304	107kg

Product details

- Table - 1750mm x 588mm x 740mm (length x width x height)
- Galvanised/galvanised & coated finish complete with plastic end caps
- Seat - 1750mm x 398mm x 452mm (length x width x height)
- Each picnic table requires 4 x 12mm bolts
- Overall width - 1400mm

Installation & use

Supplied fully welded for easy installation on site.

The Rockingham Picnic Table requires bolting to a concrete surface by means of M12 bolts (four required per table). This product is guaranteed for 12 months (if installed and used correctly).