

# DATA SHEET

## 1 / 9

### RB22 BARRIER SYSTEM 1

Rugged water filled barrier for traffic and pedestrian delineation

Tests were carried out at MIRA wind speed tunnel 28<sup>th</sup> March conducted independently by David Wain, Wind tunnel manager.

## RB22 BARRIER

## ACCESSORIES

	RB22 BARRIER	RB22 PIN	RB22 ANGLE	RB22 STOP	RB22 PLATE
PRODUCT CODE	RB22SB		RB22ANG	RB22EN	RB22P
DIMMENSIONS (MM)	L2000 x H800 x D500	L800 x D76	L680 x H800 x D500	L680 x H800 x D500	L315 x H100 x D9
MAX ANGLE (DEG)	35 DEG		35 DEG	35 DEG	
MATERIAL	UV MDPE	GALV STEEL	UV MDPE	UV MDPE	GALV STEEL
FILL CAPACITY (L)	540L	-	155	155	
WEIGHT E / F (KG)	60 / 600 KG	4	12 / 167	12 / 167	1.7
COLOURS	RED/ WHITE/ CUSTOM	-	RED/ WHITE / CUSTOM	RED/ WHITE / CUSTOM	-
FILL / DRAIN HOLES (MM)	D95MM / D25MM	-	D95MM / D25MM	D95MM / D25MM	-
FORK CHANNELS	2 X 240MM X 90MM	-	-	-	-
NO PER PALLET	4 (OS)		12	12	
CERTIFICATION	BS EN 1317 – N1 W7	50MPH CRASH TEST	-	-	-
CONFIRMED WIND SPEED	MIRA 78 MPH				

#### NOTE:

System dimensions are approximated and taken up to the main panel height



### ACCESSORIES

#### RB22 MESH

PRODUCT CODE	RB22FP
DIMMENSIONS (MM)	L1852 H1400 D40
MATERIAL	STEEL POWDER COAT
PANEL WEIGHT	8.7KG
POLE WEIGHT	10.2KG
COLOURS	WHITE
NO PER PALLET	25 (OS)
CONFIRMED WIND SPEED	MIRA 77.9 MPH (not to failure)

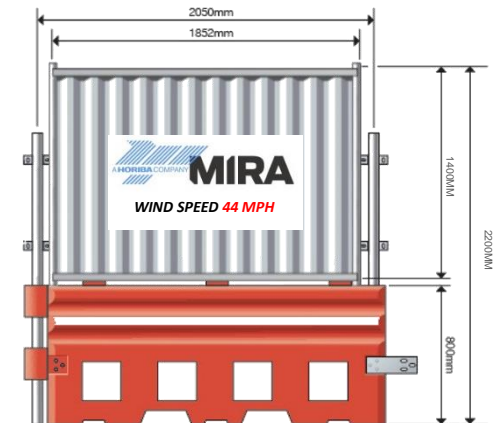
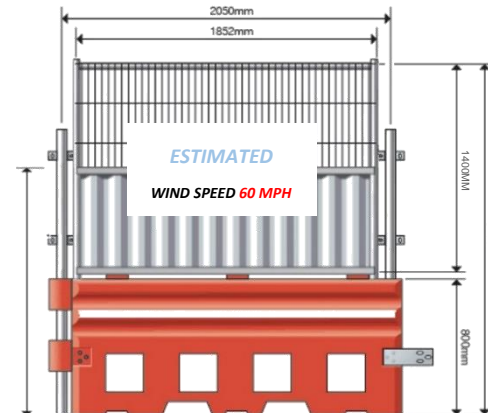
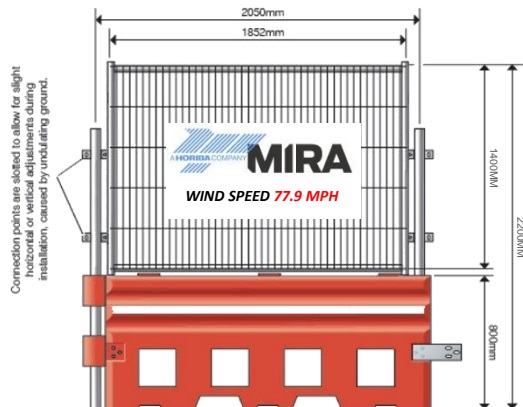
#### RB22 50 / 50

DIMMENSIONS (MM)	L1852 H1400 D40
MATERIAL	STEEL POWDER COAT
PANEL WEIGHT	17KG
POLE WEIGHT	10.2KG
COLOURS	WHITE
NO PER PALLET	25 (OS)

#### RB22 HOARDING

PRODUCT CODE	RB22HP
DIMMENSIONS (MM)	L1852 H1400 D40
MATERIAL	STEEL POWDER COAT
PANEL WEIGHT	25KG
POLE WEIGHT	10.2KG
COLOURS	WHITE
NO PER PALLET	25(OS)
CONFIRMED WIND SPEED	MIRA 44 MPH (not to failure)

**NOTE:**  
System dimensions are approximated and taken up to the main panel height



### ACCESSORIES

#### RB22 MESH 1/3

PRODUCT CODE	L1852 H1600 D40
DIMMENSIONS (MM)	L1852 H1600 D40
MATERIAL	STEEL POWDER COAT
PANEL WEIGHT	19.5KG
POLE WEIGHT	10.2KG
COLOURS	WHITE
NO PER PALLET	25 (OS)
CONFIRMED WIND SPEED	MIRA 52.4 MPH (not to failure)

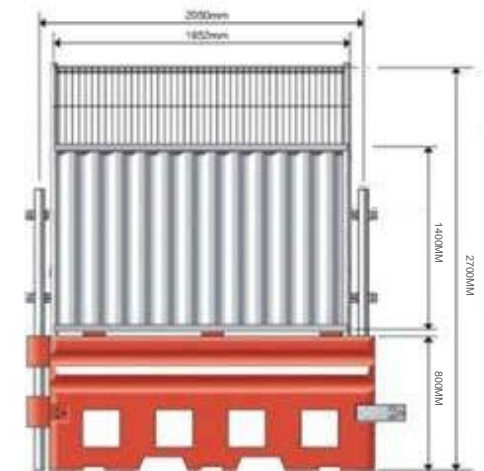
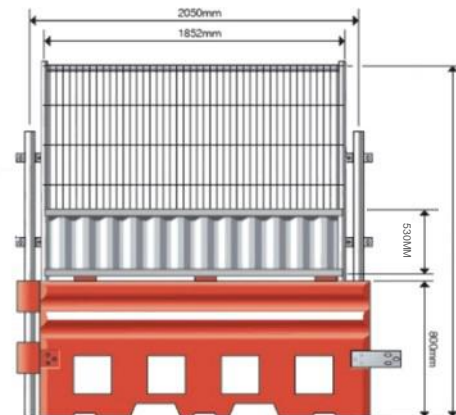
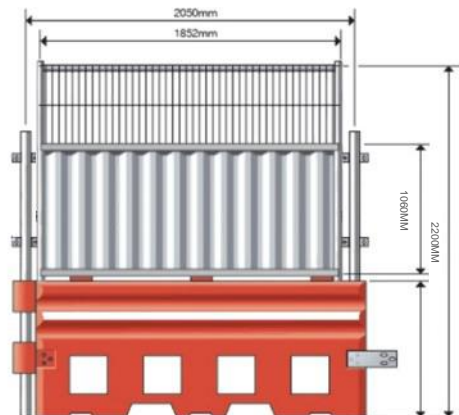
#### RB22 MESH 2/3

PRODUCT CODE	L1852 H1600 D40
DIMMENSIONS (MM)	L1852 H1600 D40
MATERIAL	STEEL POWDER COAT
PANEL WEIGHT	14KG
POLE WEIGHT	10.2KG
COLOURS	WHITE
NO PER PALLET	25 (OS)
CONFIRMED WIND SPEED	MIRA 62.2MPH (not to failure)

#### HOARDING EXTENSION

PRODUCT CODE	L2700 H1900 D40
DIMMENSIONS (MM)	L2700 H1900 D40
MATERIAL	STEEL POWDER COAT
PANEL WEIGHT	28KG
POLE WEIGHT	10.2KG
COLOURS	WHITE
NO PER PALLET	25 (OS)

**NOTE:**  
System dimensions are approximated and taken up to the main panel height



## ACCESSORIES

### PLASTIC HOARDING

L2060 H1400 D102

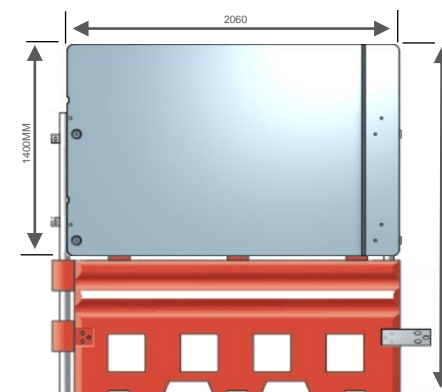
UVM DPE

22KG

10.2KG

CUSTOM

MIRA 40 MPH

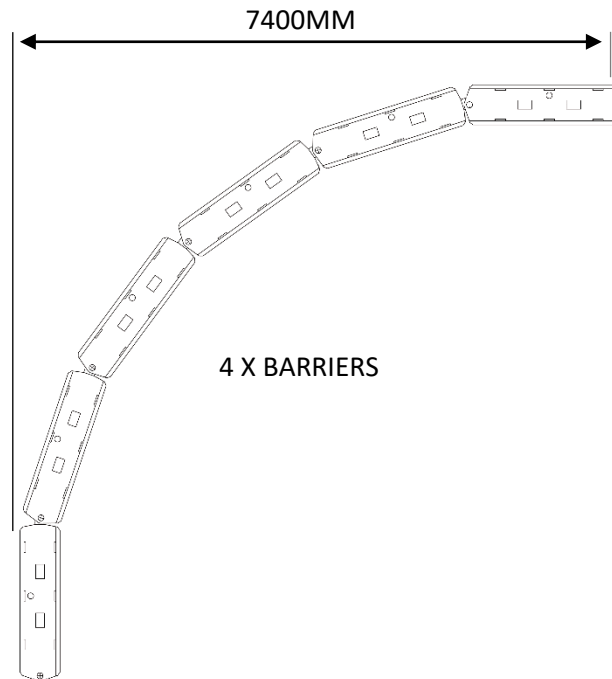


**NOTE:**

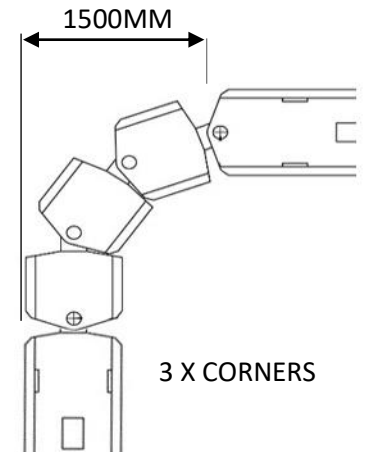
System dimensions are approximated and taken up to the main panel height

90 DEGREE CORNER LAYOUT

**RB22 BARRIER**



**RB22 ANGLE**



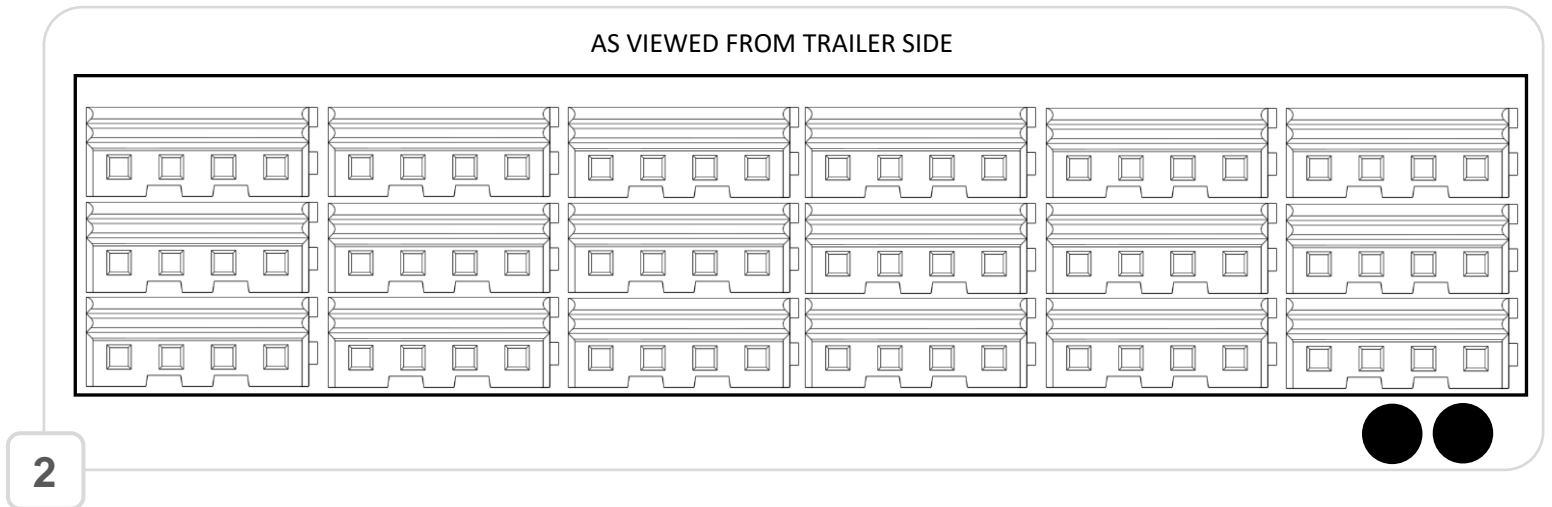
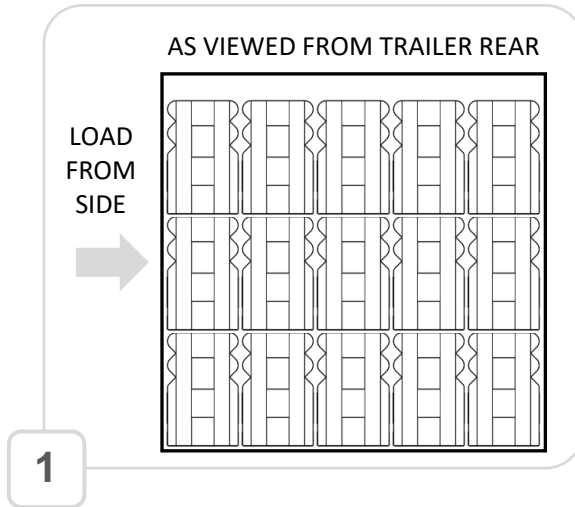
**NOTE:**

System dimensions are approximated and taken up to the main panel height

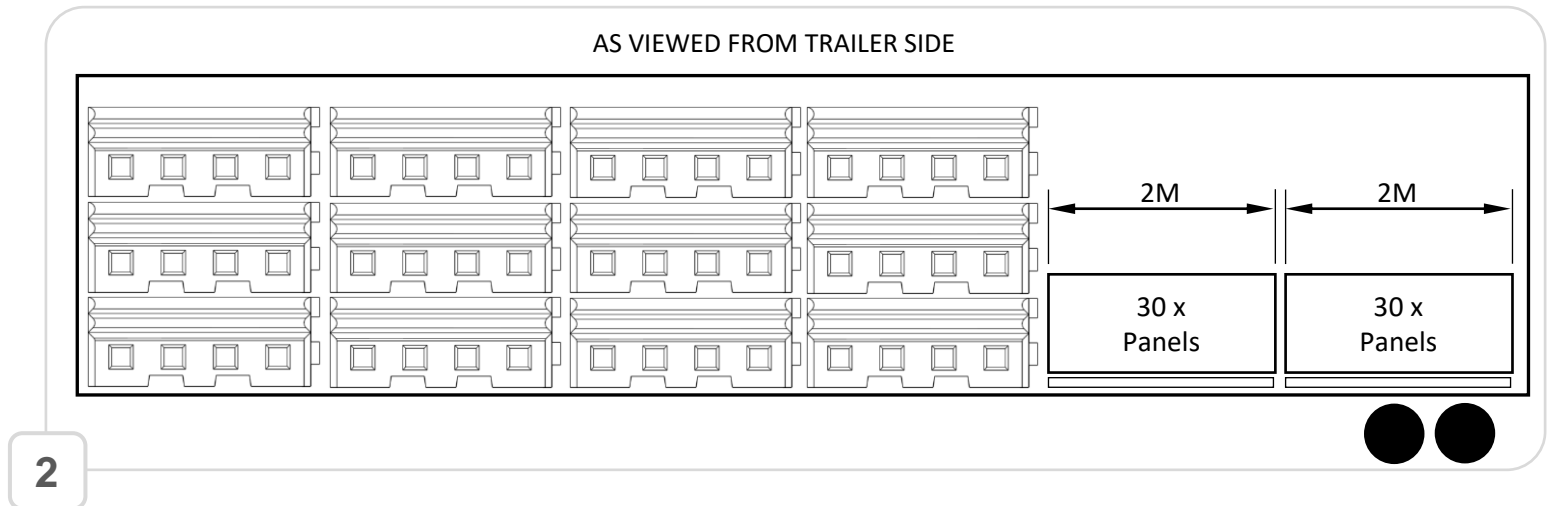
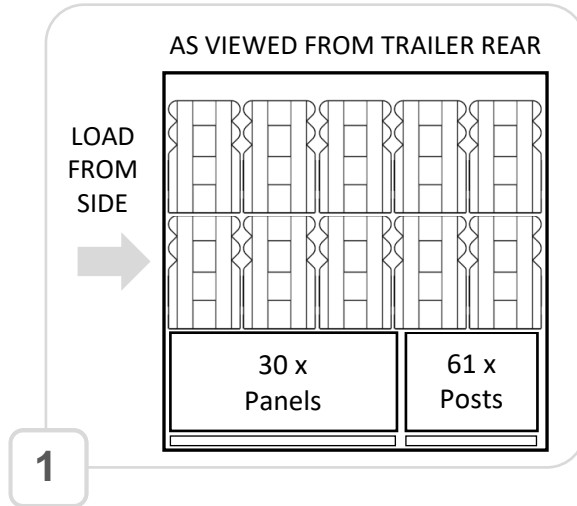
**RB22 BARRIER SYSTEM 3**

Rugged water filled barrier for traffic and pedestrian delineation

RB22 BARRIER STACKING



60 X RB22 BARRIER / PANEL STACKING



**NOTE:**  
System dimensions are approximated and taken up to the main panel height