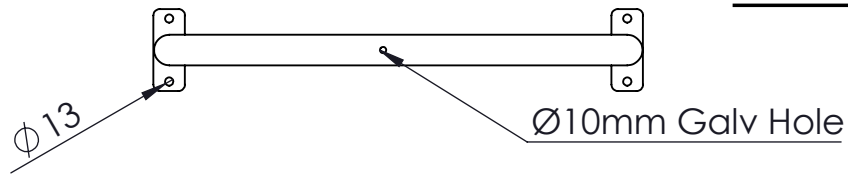


# Multi Page Drawing 1 of 2 REV A

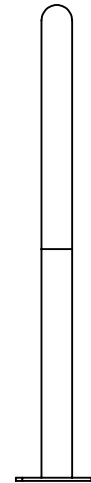
ITEM NO.	PART NUMBER	DESCRIPTION	QTY.
1	48.3 x 2.5 Tube	Surface Mount	1
2	Surface Mounted Plate 050615	5mm MS	2

**CUTSIZE = 1857mm**

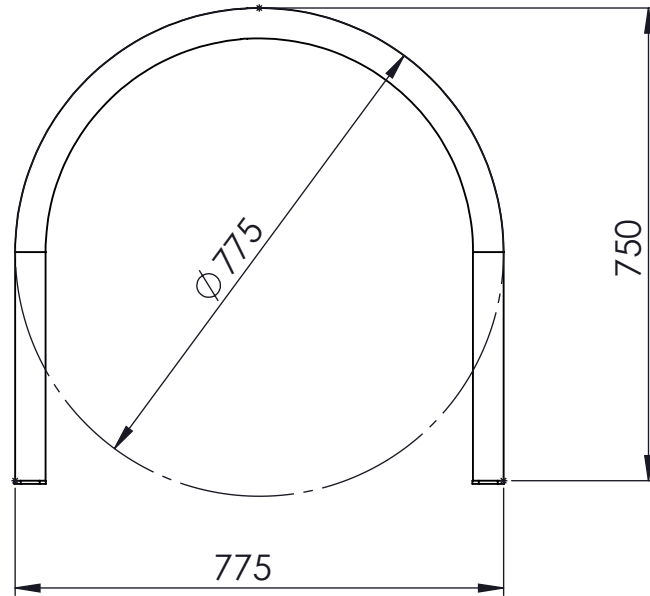
Plan View



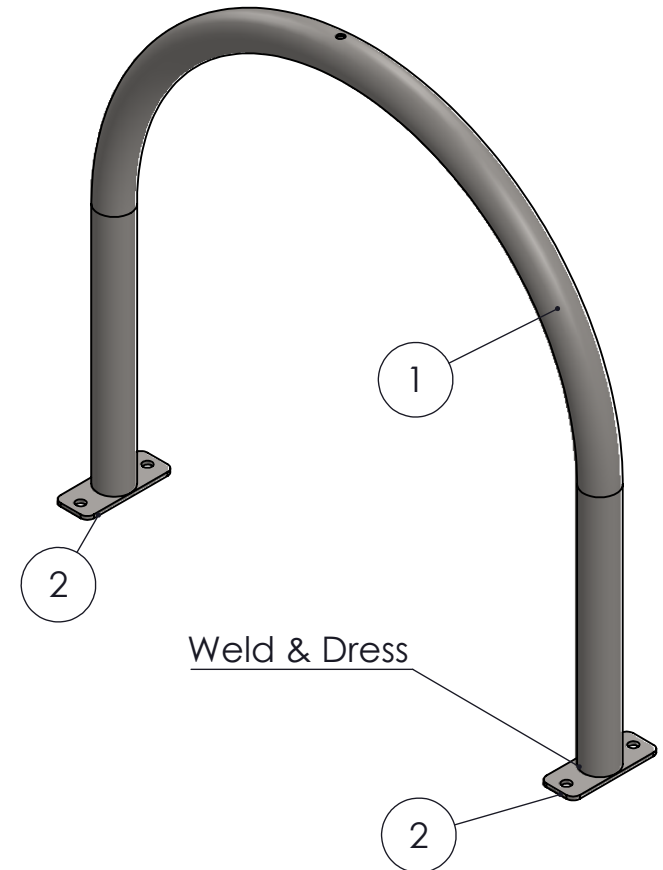
Side View



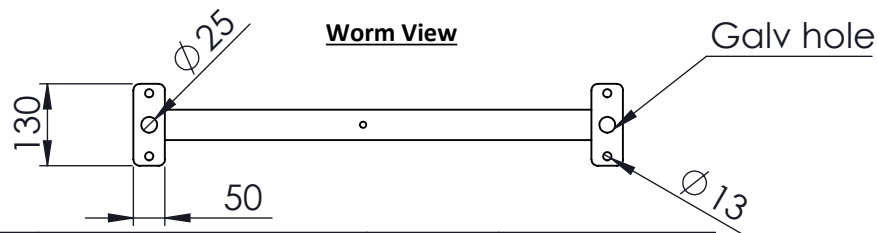
Front View



ISO View



Worm View



	A	Initial Assy Release	23/01/24	JW
ZONE	REV.	DESCRIPTION	DATE	APPROVED
REVISIONS				

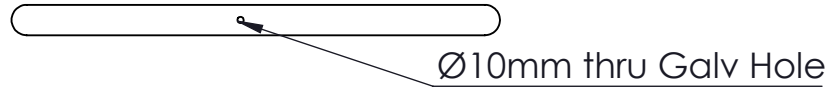
This Drawing is only valid for JOB No. -

Client				Scale	1:10
	Job Title	Harrogate Hoop	A	Drawn by	JW
				Date	23/01/2024
		Date		Revisions	

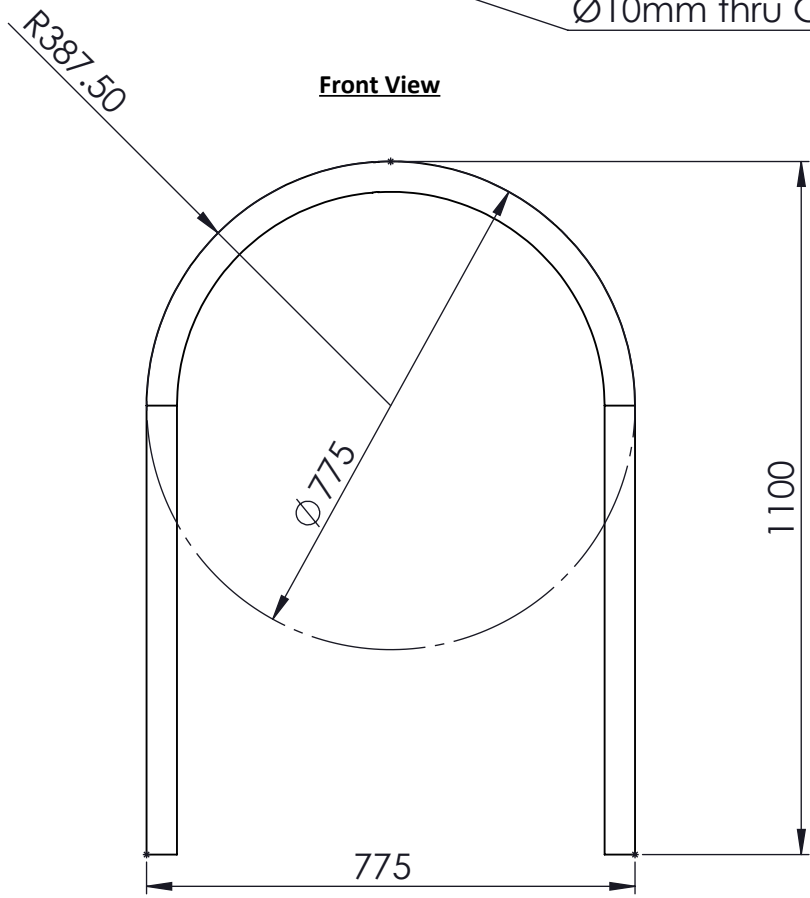
Drawing Title	Surface Mount
Drg.No.	Harrogate Hoop

**CUTSIZE = 2557mm**

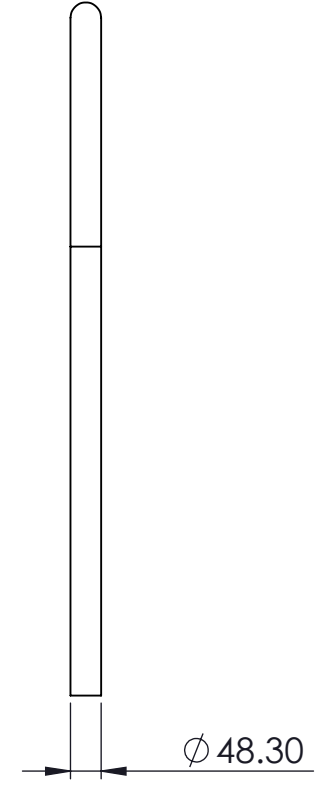
Plan View



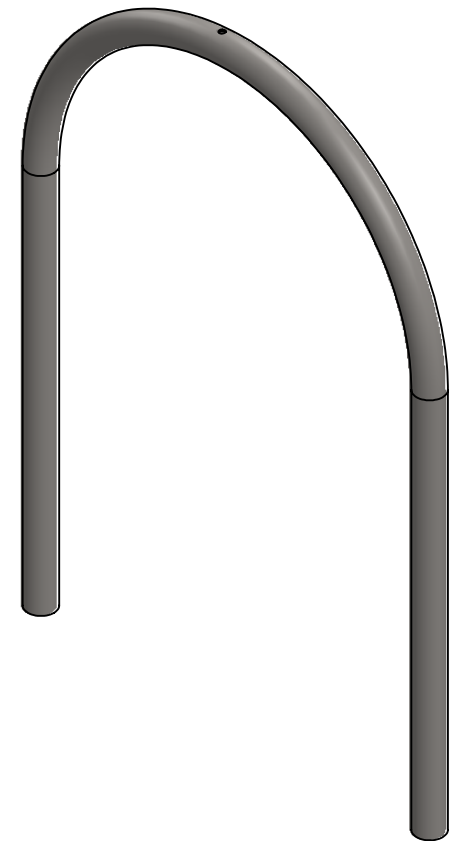
Front View



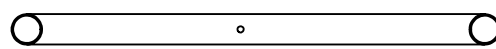
Side View



ISO View



Worm View



This Drawing is only valid for JOB No. -

	Client				Scale 1:10
	Job Title Harrogate Hoop	A			Drawn by JW
			Date	Revisions	Date 23/01/2024

Drawing Title Root Fix
Drg.No. Harrogate hoop Assy