

TECHNICAL CHARACTERISTICS

- > Structure steel tube, Ø 35 mm
- > Total height:
 - Concreted version: 800 mm
 - On base plates: 500 mm
- > Width: 565 mm
- > Height above ground (concreted version): 500 mm

INSTALLATION

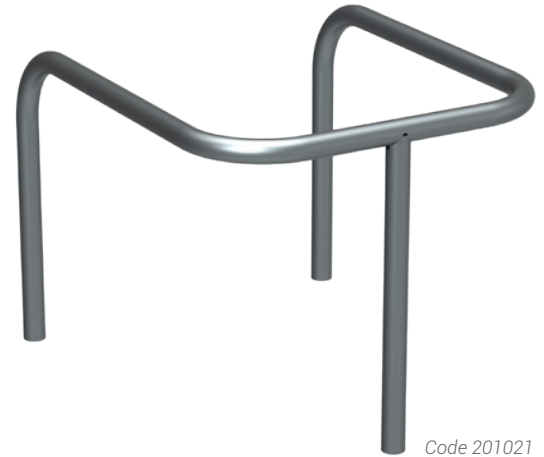
- > Installation: concreted directly into ground (recommended concrete depth: 300 mm) or base plates 130 x 75 mm
- > Option: installation in socket

PRODUCT CODES

	Galva	Galva + Painted
Concreted	201020	201021
On base plates	291020	291021

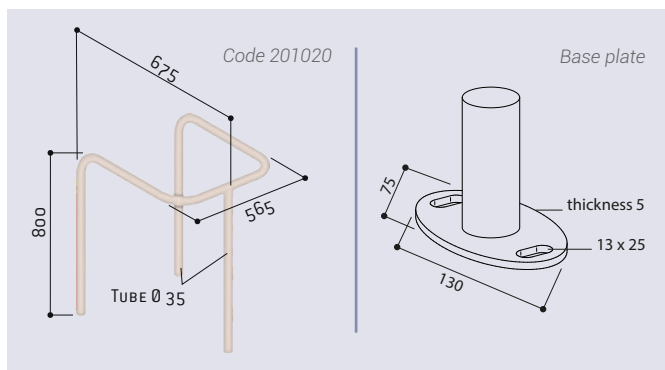


Code 291020



Code 201021

DRAWINGS



FINISH PAINTED

- > Galvanised or galvanised & painted in our RAL colours

