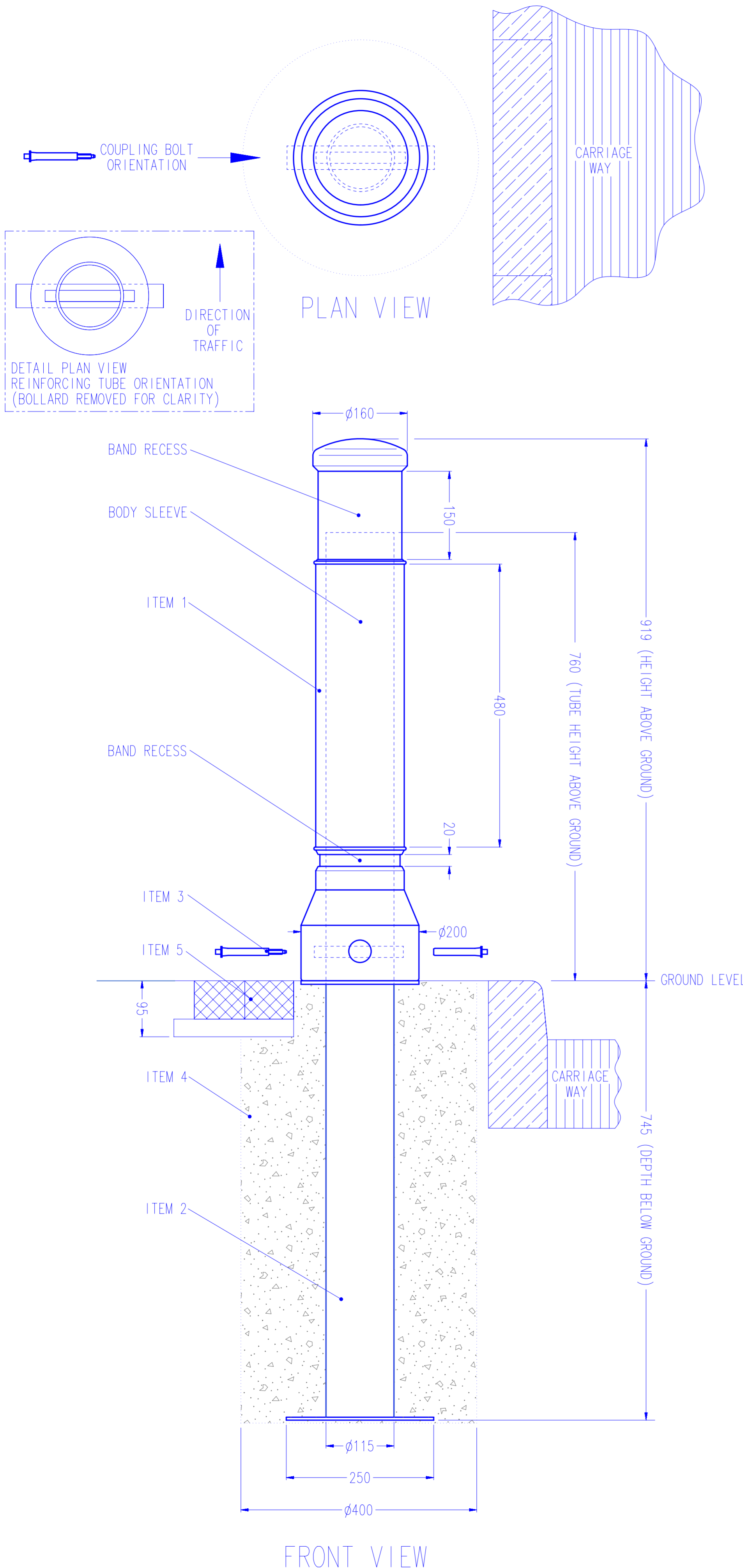


MODEL SPECIFICATION

NEOPOLITAN™ 150 BOLLARD – GUARDSMAN™ – ANTI-RAM RAID



PRODUCT INFORMATION:

- WEIGHT
 - BOLLARD 3.5 Kg
 - REINFORCING TUBE 21.3 Kg
 - TOTAL 24.8 Kg
- MATERIAL
 - BOLLARD - DURAPOL®
 - REINFORCING TUBE - GALVANIZED MILD STEEL
- COLOURS
 - MILLSTONE, SANDSTONE, BLACK, AIRCRAFT GREY, STONE, WHITE AND DARK BLUE.
- DIMENSIONS
 - ALL DIMENSIONS IN MM UNLESS OTHERWISE STATED.

INSTALLATION GUIDE:

- ITEM 1 - REMOVABLE BOLLARD
- ITEM 2 - REINFORCING TUBE
- ITEM 3 - COUPLING BOLTS
- ITEM 4 - QUICK SETTING CONCRETE (eg. GRADE QC10)
- ITEM 5 - BLOCK PAVING
- ENSURE REFLECTIVE BANDING IS IN THE CORRECT ORIENTATION - RED TOWARDS ONCOMING TRAFFIC (YELLOW ON CENTRAL RESERVATION).
- THE REINFORCING TUBE IS TO BE ORIENTATED SO THAT THE COUPLING BOLT IS INSERTED AT 90° TO THE CARRIAGE WAY (SEE DETAIL PLAN VIEW FOR CORRECT ORIENTATION).
- RECOMMENDED HOLE SIZE $\phi 400\text{mm} \times 745\text{mm}$ DEEP.
- WE RECOMMEND THE REINFORCING TUBE IS BEDDED ON GRAVEL AND A 300mm MINIMUM DEPTH OF CONCRETE SHOULD BE USED.
- THE REINFORCING TUBE SHOULD BE FILLED WITH CONCRETE FOR ADDED STRENGTH.
- THIS BOLLARD IS ALSO AVAILABLE WITH SOCKET, CONCRETE-IN ANCHOR FIXINGS OR SURFACE MOUNT FIXINGS.
- AVOID CONTACT WITH HOT TARMACADAM AS THIS WILL SERIOUSLY IMPAIR THE PERFORMANCE OF THE BOLLARD.
- WE RECOMMEND INSTALLING WITH QUICK SETTING CONCRETE (eg. GRADE QC10) BUT EXACT INSTALLATION REQUIREMENTS SHOULD BE ASSESSED FROM A SITE SURVEY.
- OPTIONAL PARTS:
 - ALUMINIUM BACKED RETROREFLECTIVE BANDING (TO BS EN 12899-1:2007, FIXED, VERTICAL ROAD TRAFFIC SIGNS) OR DECORATIVE BANDING MAY BE FITTED.
 - STANDARD BANDING SETS:
 - 1 x 150mm AND 1 x 20mm BANDS (WITHIN THE 2 BAND RECESSES).
 - 1 x 480mm BODY SLEEVE.
 - SPARE BOLLARDS, KEYS AND BANDING ARE AVAILABLE.
 - ALL RETOREFLECTIVE MATERIALS SUPPLIED BY GLASDON ARE AS RECOMMENDED IN TABLE NA1 OF THE NATIONAL ANNEX OF BS EN 12899-1 2007 FIXED VERTICAL ROAD SIGNS.



website: www.glasdon.com
 e-mail: sales@glasdon.com
 Telephone: 01253 600400
 Facsimile: 01253 792558

Copyright and/or design right in this representation and the product it depicts is reserved by Glasdon Group Limited. The issue of this drawing, is a confidential disclosure of its contents, and is made on condition that it is neither disclosed to a third party, nor any item described here in and designed by Glasdon Group Limited, is produced either in whole or in part without the written consent of Glasdon Group Limited.

SPECIFICATION NUMBER - 115019-502	ISSUE 08
GLASDON GROUP LTD 18/02/15	SHEET SIZE:A2